

# Service Schematics

# NOKIA N95

## RM-159/RM-245

## Introduction

### IMPORTANT:

This document is intended for use by authorized NOKIA service centers only.

“Service Schematics” was created with focus on customer care. The purpose of this document is to provide further technical repair information for NOKIA mobile phones on Level 3/4 service activities. It contains additional information such as e.g. “Component finder”. The “Signal overview” page gives a good and fast overview about the most important signals and voltages on board. Saving process time and improving the repair quality is the aim of this document. It is to be used additionally to the service manual and other training or service information such as Service Bulletins.

### All measurements were made using following equipment:

Nokia repair SW : Phoenix version 2006.34.2.156  
Oscilloscope : Fluke PM 3380A/B  
Spectrum Analyzer : Advantest R3162 with an analog probe  
RF-Generator / GSM Tester : Rhode & Schwarz CMU 200  
Multimeter : Fluke 73 Series II

While every endeavour has been made to ensure the accuracy of this document, some errors may exist. If the reader finds any errors, NOKIA shall be notified in writing.

Please send E-Mail to: [training.sace@nokia.com](mailto:training.sace@nokia.com)



### A NEW FEATURE FOR ON-LINE USE

We have now linked those measurement points ① which are related to the oscillograms shown on the signal overview page. As example: clicking on the measurement point ① guides you to the matching oscillogram on the signal overview page. The next click onto the now shown signal guides you to the related measurement point on the module. Finally, a third click, now onto the measurement point ① on the module, takes you back to the starting point inside the schematics.

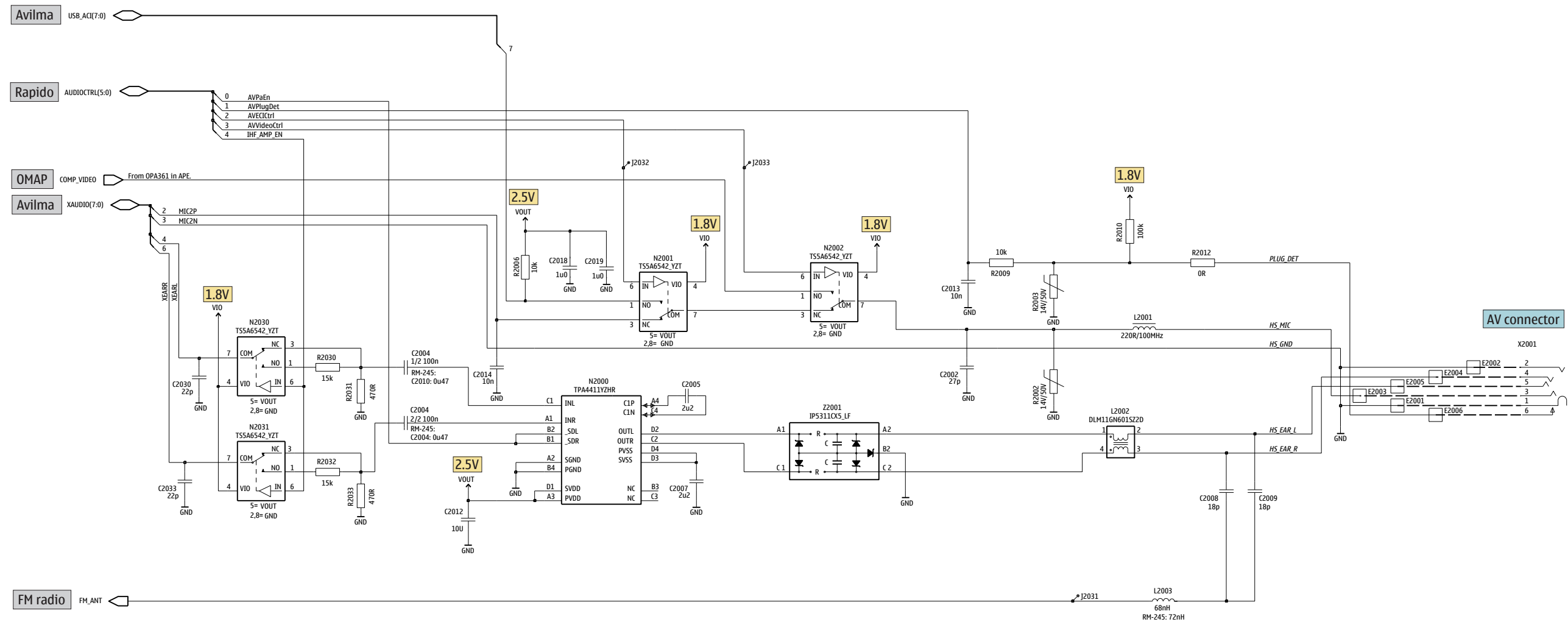
Do you have further improvement ideas or would like to give us feedback?  
Please send an email to: [training.sace@nokia.com](mailto:training.sace@nokia.com)

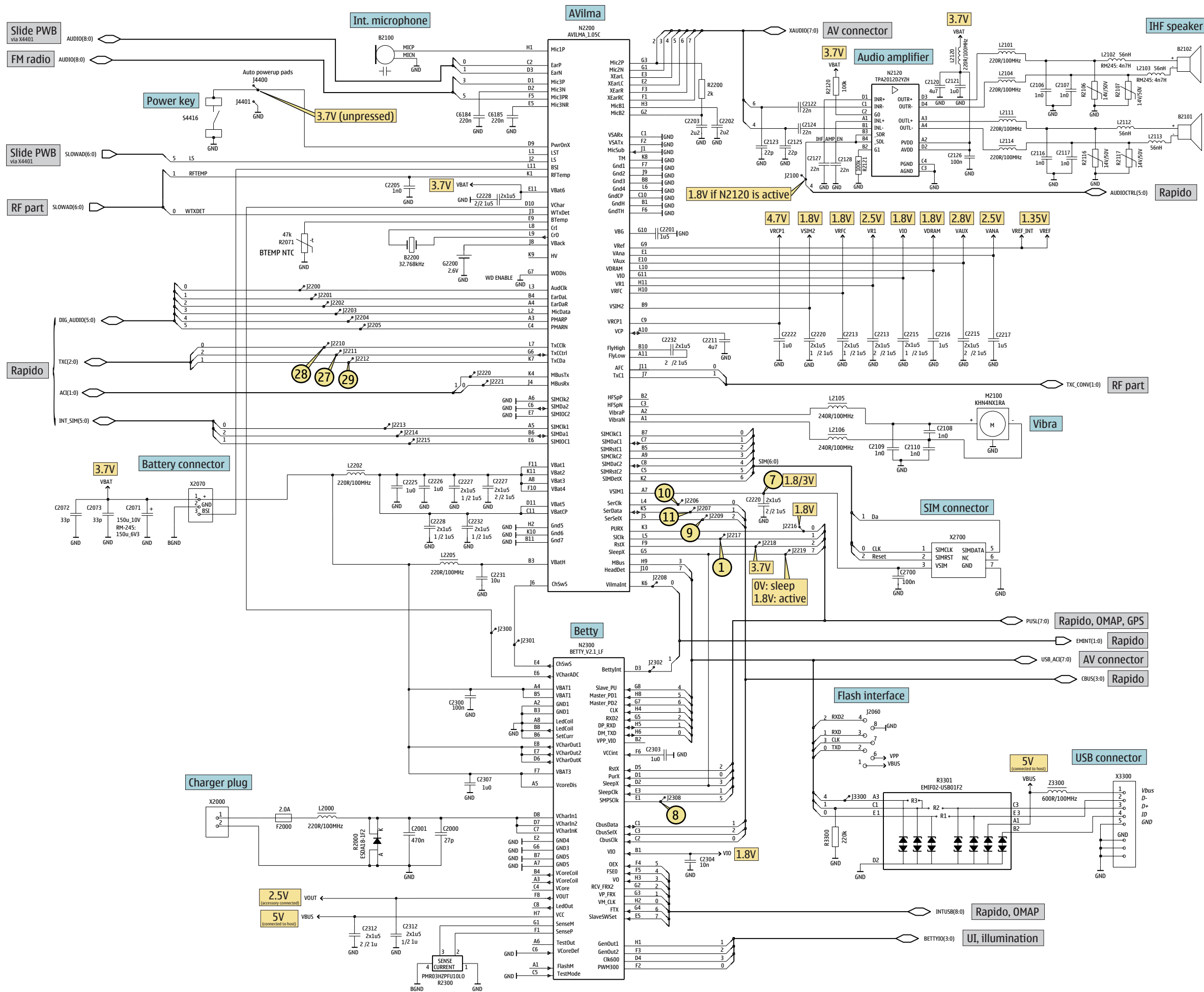
### Table of Content

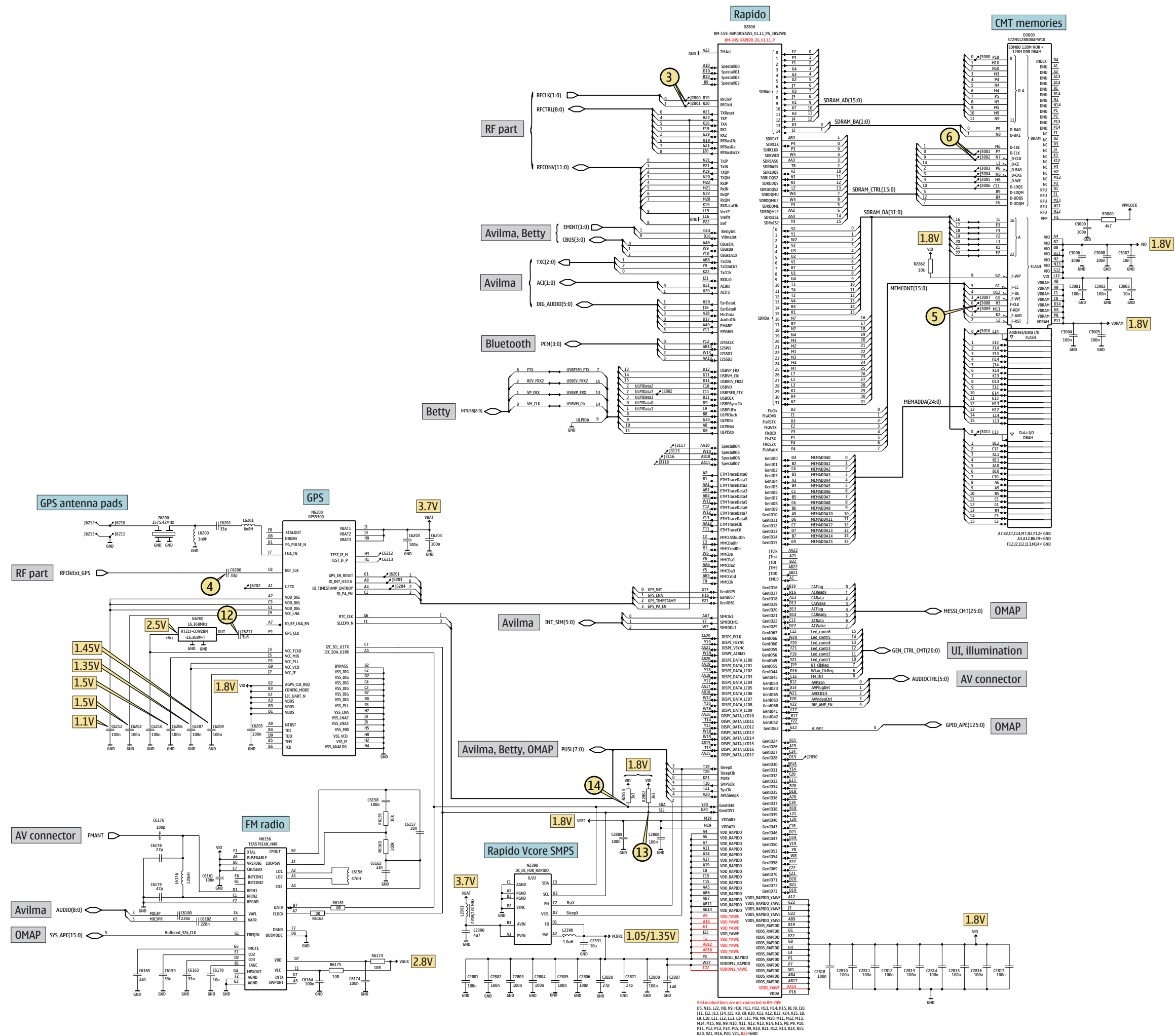
|                           |    |
|---------------------------|----|
| Front page                | 1  |
| AV connector              | 2  |
| AVilma, Betty             | 3  |
| Rapido, Memories, GPS     | 4  |
| Menelaus, microSD         | 5  |
| OMAP                      | 6  |
| Camera, HWA               | 7  |
| WLAN, Bluetooth           | 8  |
| UI, illumination          | 9  |
| Slide PWB                 | 10 |
| RF part (RM-159)          | 11 |
| RF part (RM-245)          | 12 |
| Signal overview           | 13 |
| Component finder (RM-159) | 14 |
| Component finder (RM-245) | 15 |

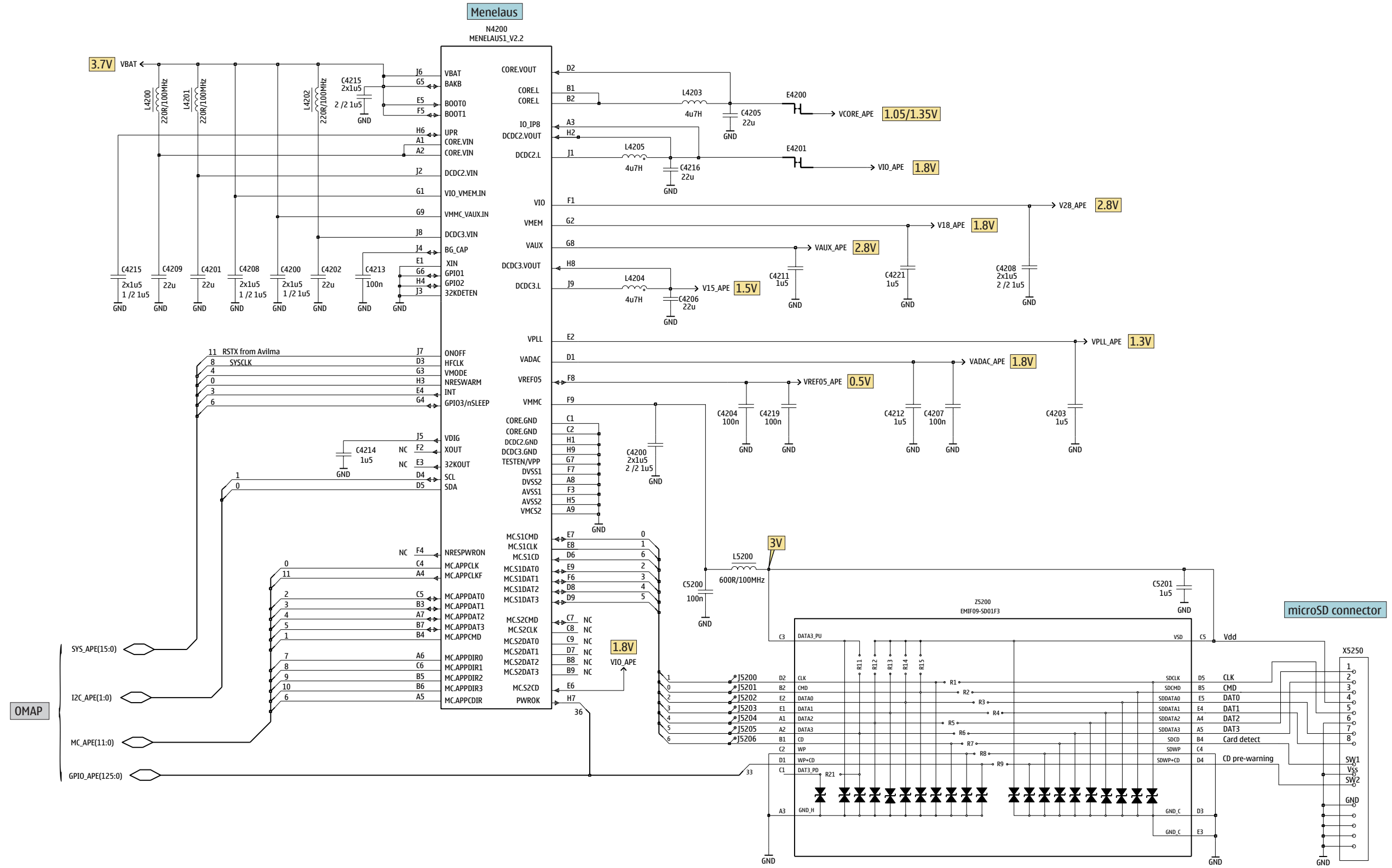
Copyright © NOKIA

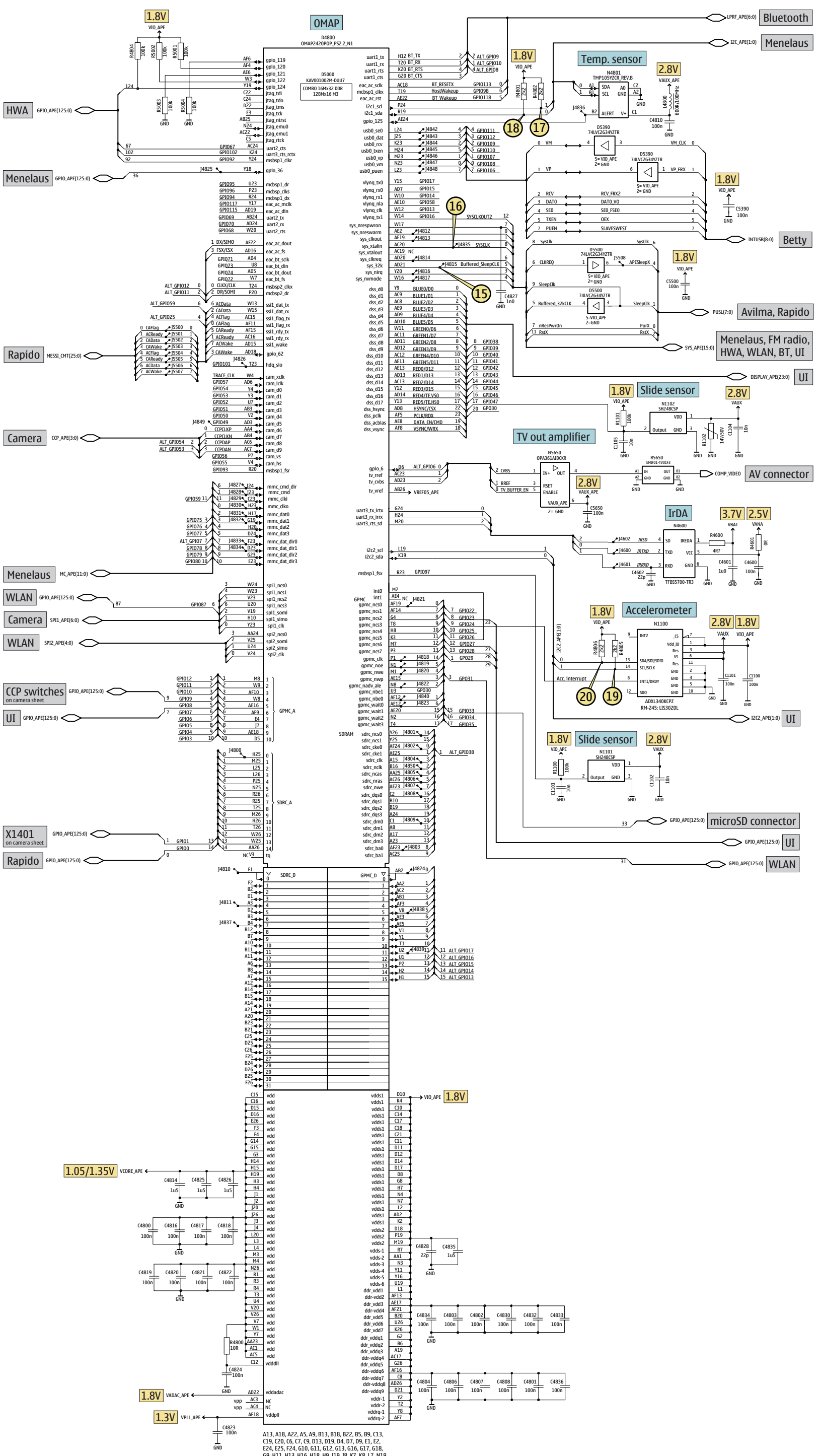
This material, including documentation and any related computer programs is protected by copyright, controlled by NOKIA. All rights are reserved. Copying, including reproducing, modifying, storing, adapting or translating any or all of this material requires the prior written consent of NOKIA. This material also contains companyconfidential information, which may not be disclosed to others without the prior written consent of NOKIA.









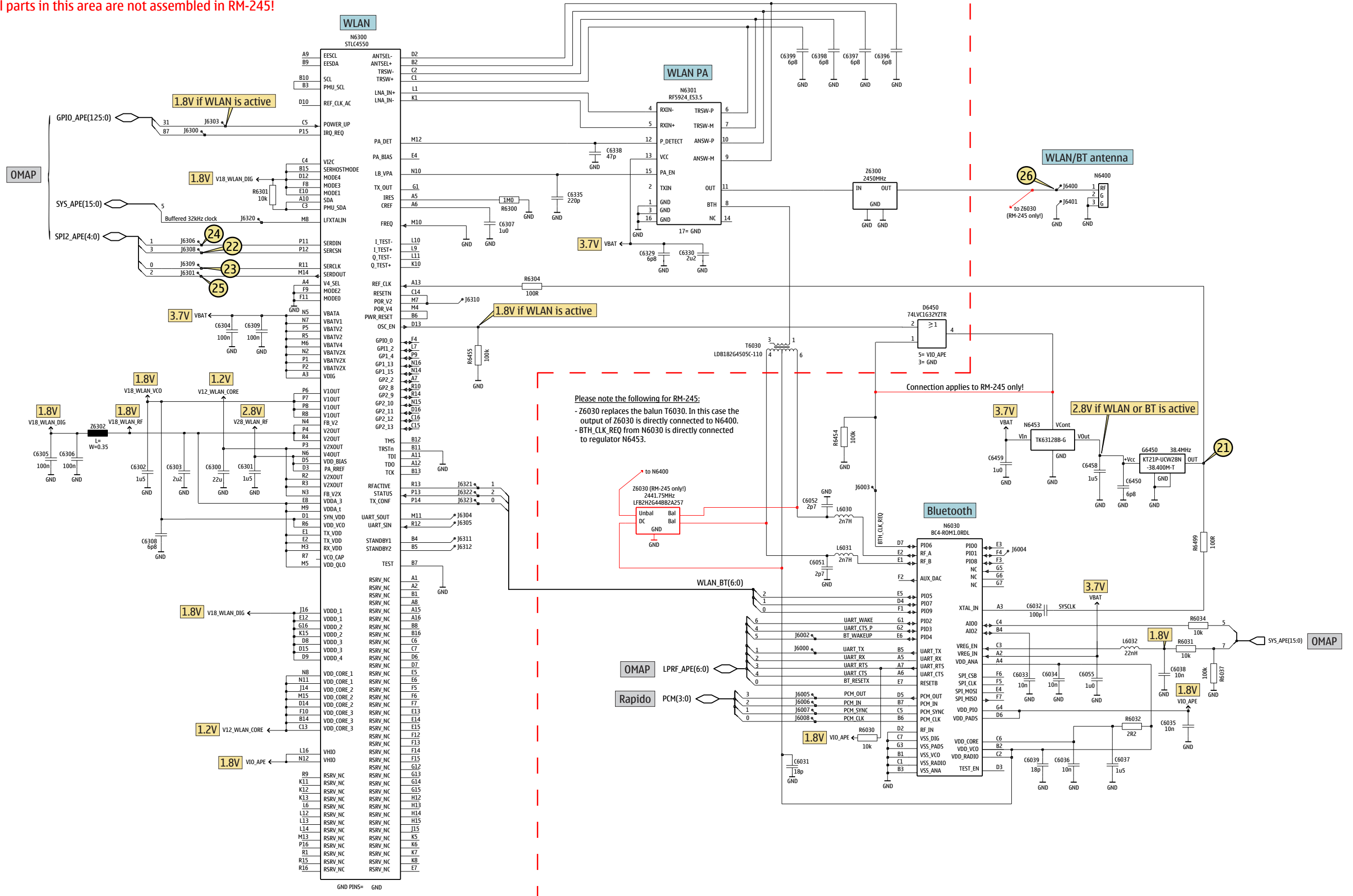


A13, A18, A22, A5, A9, B13, B18, B22, B5, B9, C13, C19, C20, C6, C7, C9, D13, D19, D4, D7, D9, E1, E2, E4, E25, F24, G10, G11, G12, G13, G16, G17, G18, G9, H11, H13, H16, H18, H9, J19, J8, K7, K8, L7, N19, P26, P4, P8, R8, T7, W18, Y10, Y14, A3, AC14, AD17, LB, CA, D20, D3, AC21, B1, A1, AF26, A26, B26, AE1, AF17, AF2, AF25, A25, AF2, AE26, AD1, AB23, K1, AE14, AF17, AE21, A16, U25, K25, G1, A4, W19, B17, G25, AF20, C3, AD25, N20, W2, R2, AC10, AE7=GND

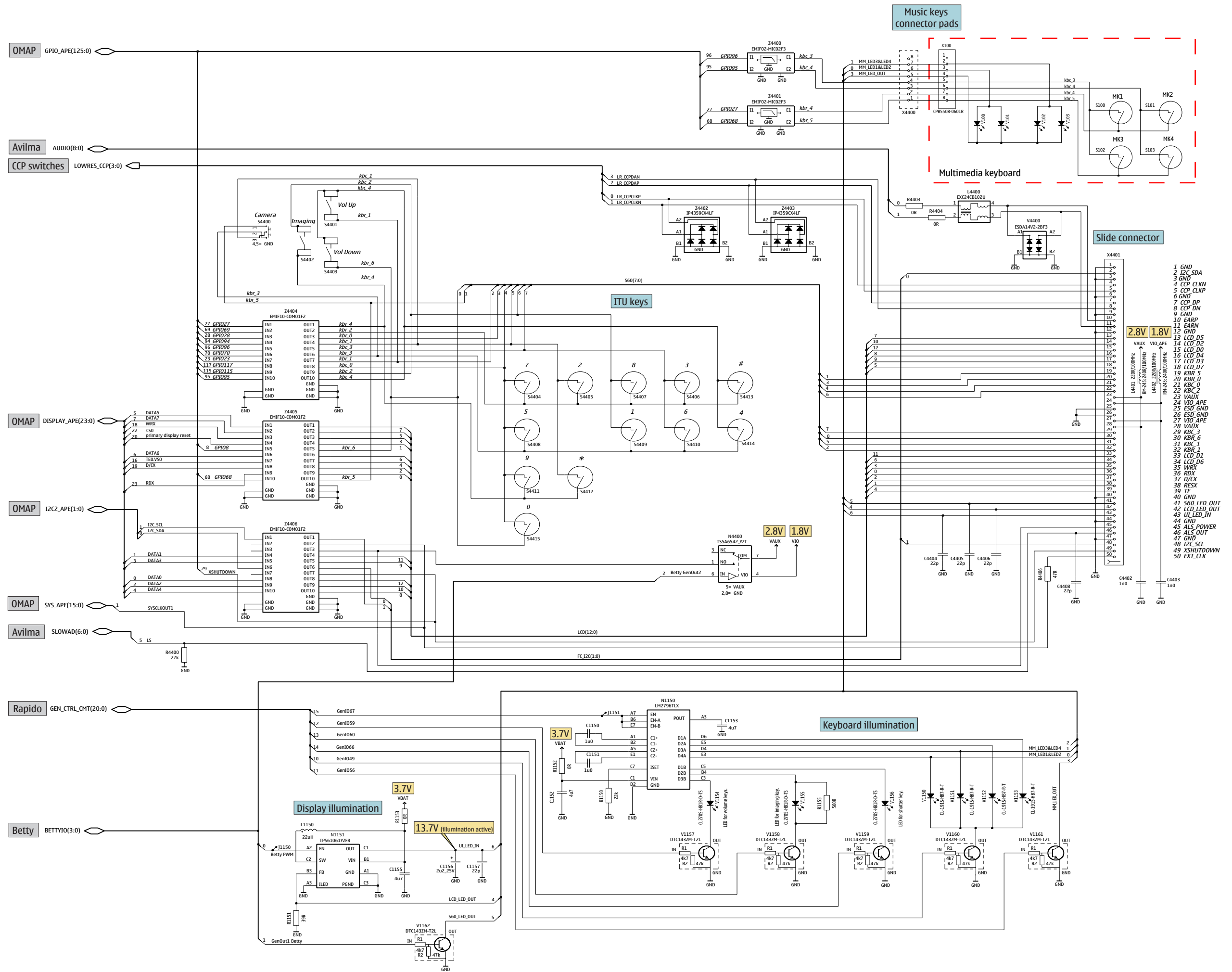


Please note:

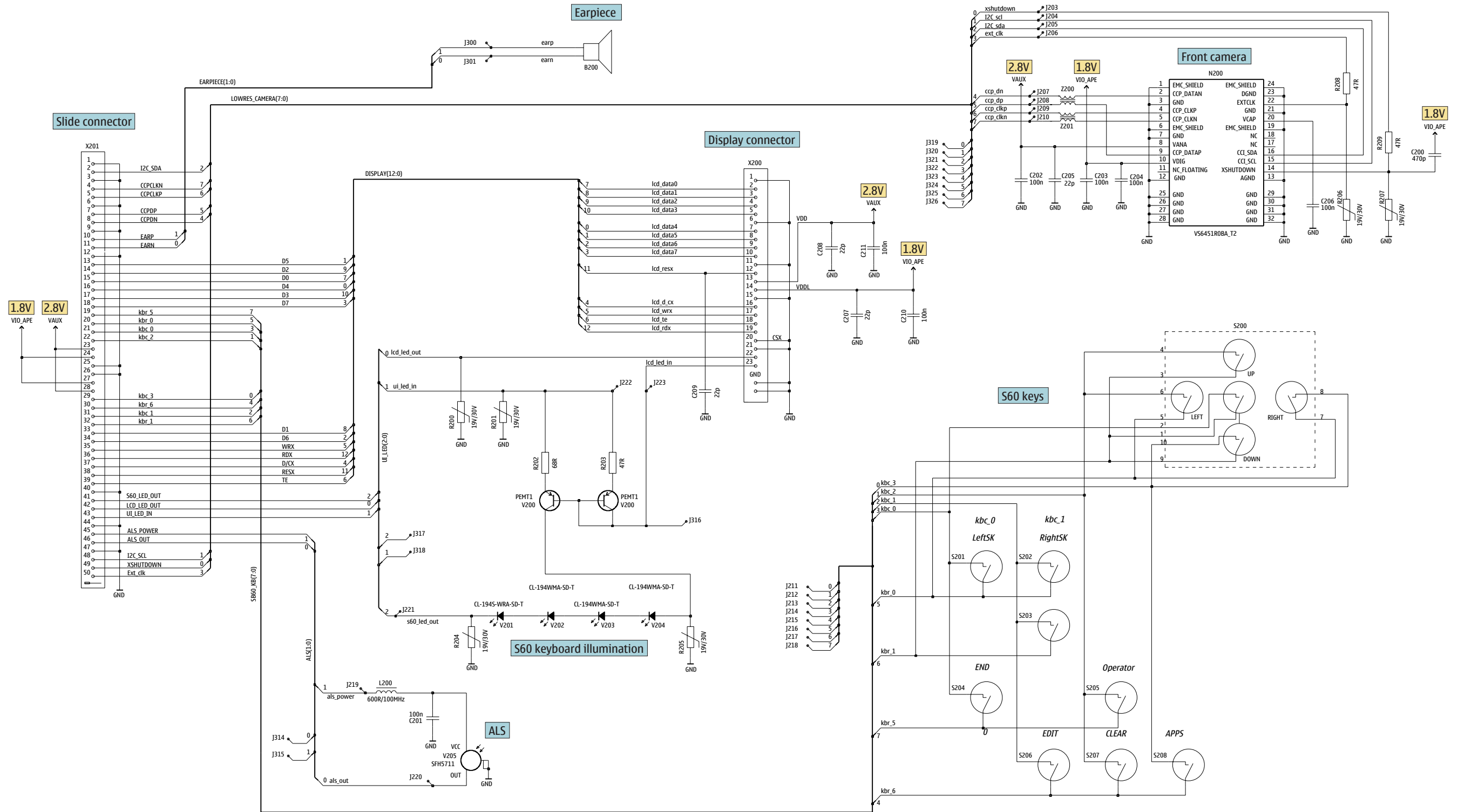
All parts in this area are not assembled in RM-245!



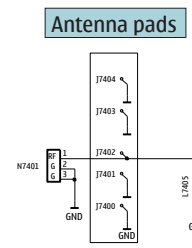




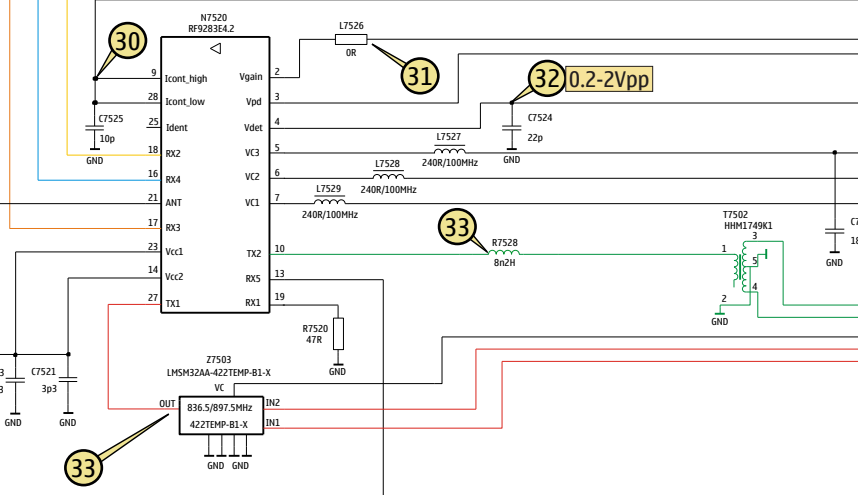
- 1 GND
- 2 I2C\_SDA
- 3 GND
- 4 CCP\_CLKN
- 5 CCP\_CLKP
- 6 GND
- 7 CCP\_DP
- 8 CCP\_DN
- 9 GND
- 10 EARP
- 11 EARN
- 12 GND
- 13 LCD\_D5
- 14 LCD\_D2
- 15 LCD\_D0
- 16 LCD\_D4
- 17 LCD\_D3
- 18 LCD\_D7
- 19 KBR\_5
- 20 KBR\_0
- 21 KBR\_0
- 22 KBR\_2
- 23 VAUX
- 24 VIO\_APE
- 25 ESD\_GND
- 26 ESD\_GND
- 27 VIO\_APE
- 28 VAUX
- 29 KBR\_3
- 30 KBR\_6
- 31 KBR\_1
- 32 KBR\_1
- 33 LCD\_D1
- 34 LCD\_D6
- 35 WRX
- 36 RDX
- 37 D/CX
- 38 RESX
- 39 TE
- 40 GND
- 41 S60\_LED\_OUT
- 42 LCD\_LED\_OUT
- 43 UI\_LED\_IN
- 44 GND
- 45 ALS\_POWER
- 46 ALS\_OUT
- 47 GND
- 48 I2C\_SCL
- 49 XSHUTDOWN
- 50 EXT\_CLK



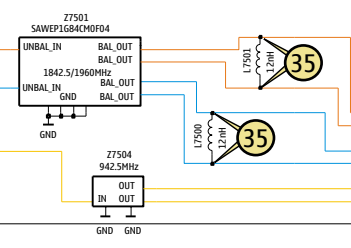




**Front end module**



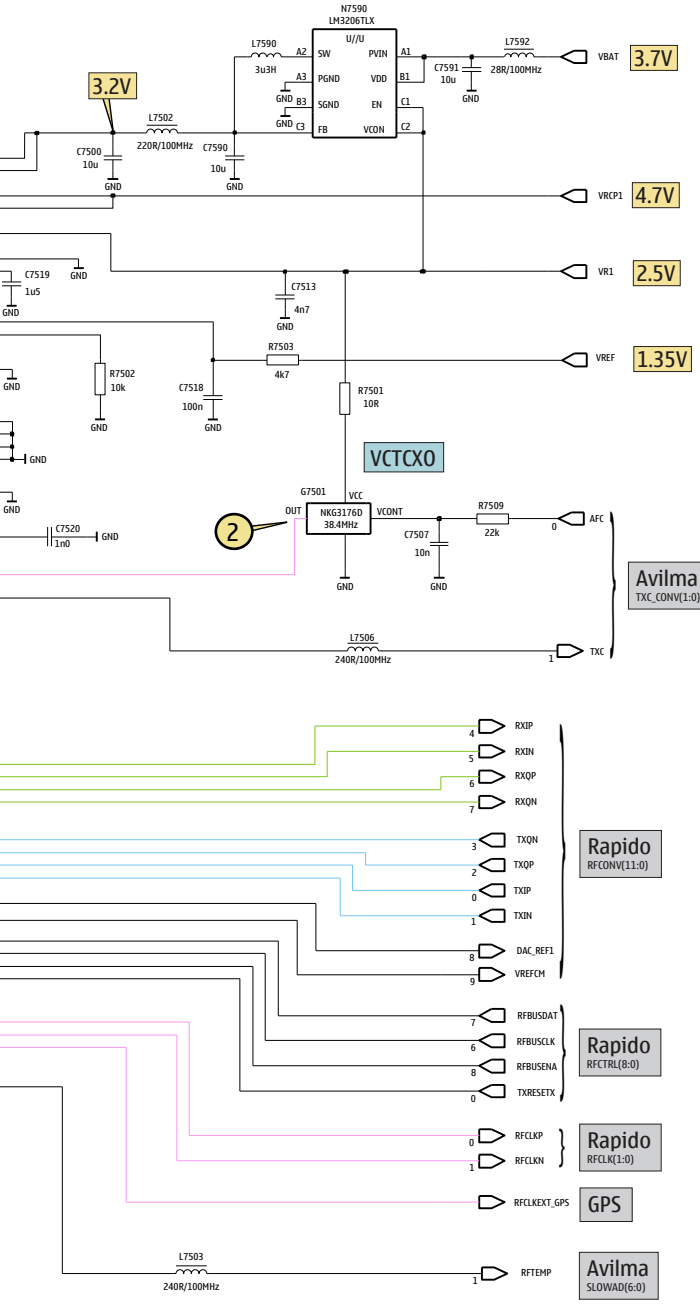
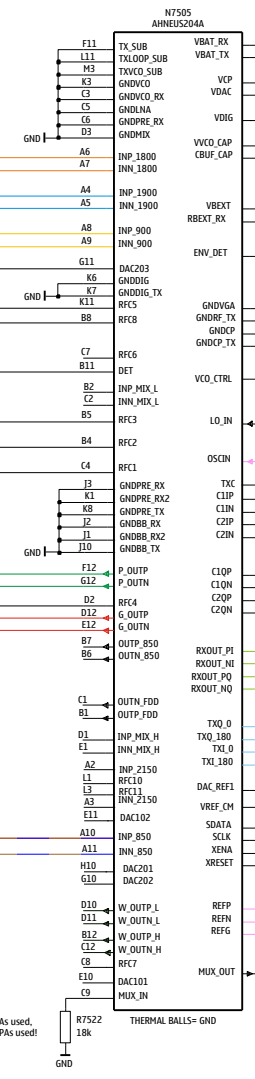
30  
31  
32 0.2-2Vpp  
33



35  
35

R7522 assembled if RFMD PAs used, not assembled if Skyworks PAs used!

**RF chip**



3.2V

3.7V

4.7V

2.5V

1.35V

**VCTCXO**

2

Avilma TXC\_CONV(1:0)

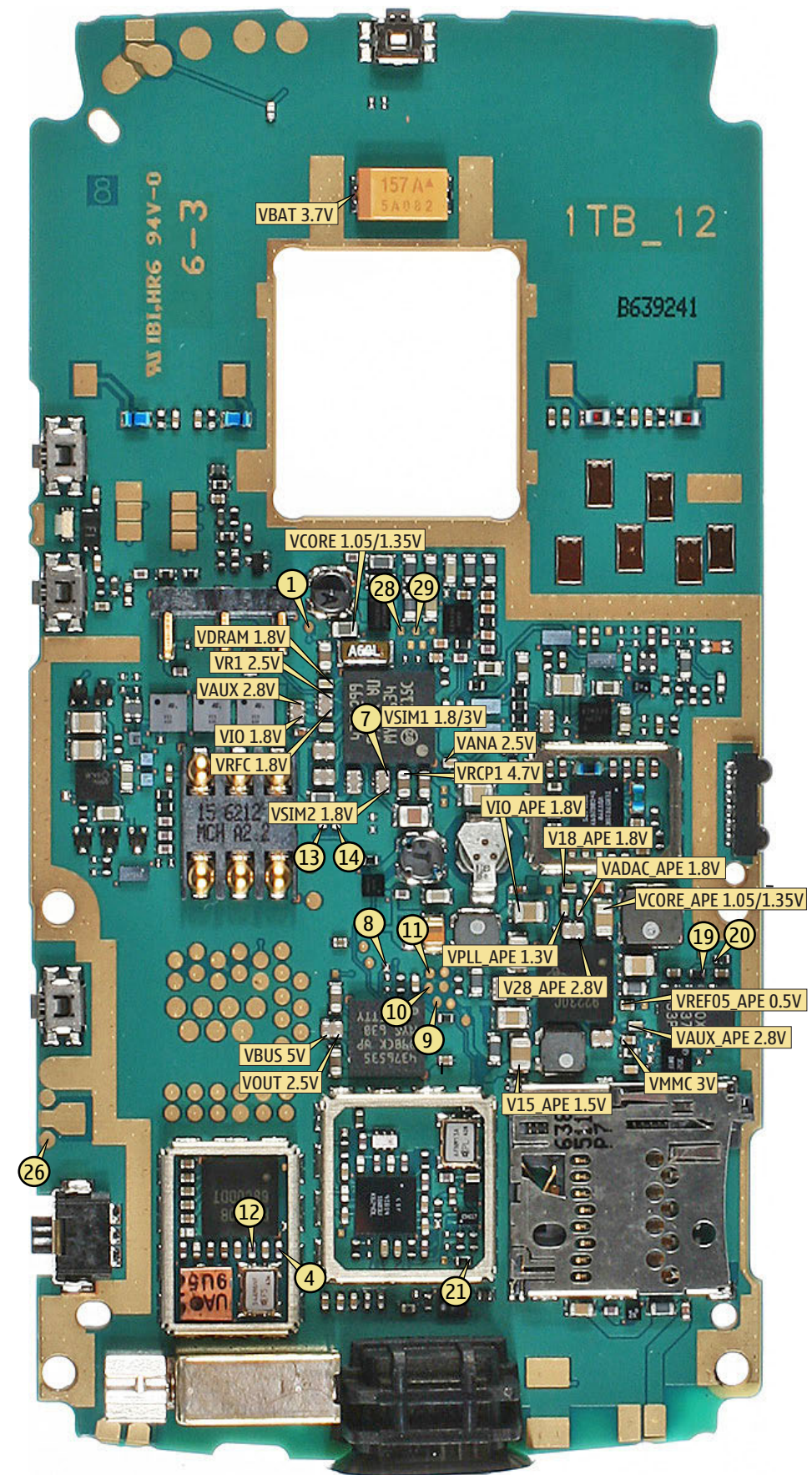
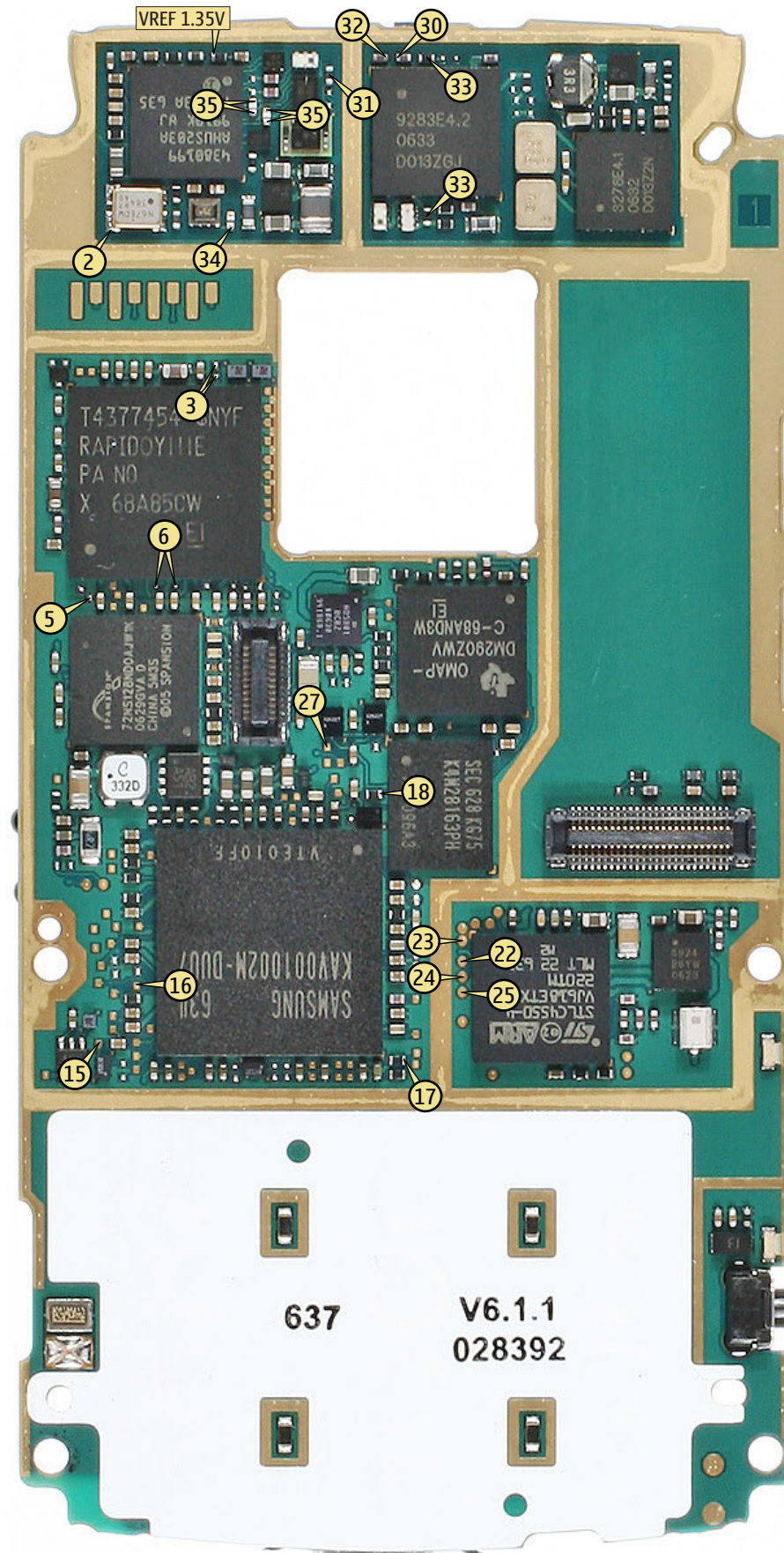
Rapido RFCONV(1:0)

Rapido RFBUS(8:0)

Rapido RFLCLK(1:0)

GPS RFLCKEXT\_GPS

Avilma SLOWAD(6:0)



| B     | C2815 | A14   | C650   | A7  | E  | A814  | B7    | J6321 | G8    | N6300 | G7    | R7522 | C18   |       |     |
|-------|-------|-------|--|---|--|-------|-------|-------|-------|-------|-------|-------|-------|-------|-----|
| B2100 | C1    | C2816 | C14  | C6031   | F5   | E2001 | A13   | J4815 | B7    | J6322 | F8    | N6301 | I8    | R7528 | F17 |
| B2101 | B16   | C2817 | A15  | C6032   | E3   | E2002 | C13   | J4816 | C8    | J6323 | F8    | N6453 | D4    | R7529 | F17 |
| B2102 | I16   | C2818 | B15  | C6033   | E4   | E2003 | B12   | J4817 | C8    | J6400 | J5    | N7505 | C18   | R7530 | F17 |
| B2200 | F11   | C2820 | A13  | C6034   | E4   | E2004 | C12   | J4818 | D10   | J6401 | J6    | N7520 | F18   | R7541 | I19 |
| C     | C2821 | C12   | C6035  | F4  | E2005  | B13   | A819  | D10   | J7400 | I19   | N7540 | F18   | R7544 | H18   |     |
| C1100 | A7    | C3000 | A10  | C6036   | E3   | E2006 | B13   | J4820 | D10   | J7401 | H19   | N7541 | H19   | R7544 | H18 |
| C1101 | B7    | C3001 | A11  | C6037   | F3   | F     | A821  | B8    | J7402 | I19   | N7590 | D17   | R7560 | G19   |     |
| C1102 | I12   | C3002 | C11  | C6038   | F4   | F2000 | B3    | J4822 | D10   | J7403 | G19   | R     | S     |       |     |
| C1103 | I13   | C3003 | A11  | C6039   | E4 <th>G</th> <th>A823</th> <th>B8</th> <th>J7404</th> <th>G19</th> <th>R1100</th> <th>I12</th> <th>S4400</th> <th>J4</th>                     | G     | A823  | B8    | J7404 | G19   | R1100 | I12   | S4400 | J4    |     |
| C1104 | I5    | C3004 | B12  | C6051   | F4   | G2200 | D9    | J4824 | B9    | L     | R1101 | E6    | S4401 | J14   |     |
| C1105 | I5    | C3005 | C11  | C6052   | E4   | G6200 | G3    | J4825 | C7    | L1150 | E8    | R1102 | J5    | S4402 | J7  |
| C1150 | I10   | C3006 | C11  | C6055   | F5   | G6450 | E5    | J4826 | C7    | L1404 | I12   | R1150 | I9    | S4403 | J12 |
| C1151 | I9    | C3007 | A12  | C6157   | B9   | G7501 | B17   | J4827 | E6    | L1405 | H13   | R1151 | F8    | S4416 | E19 |
| C1152 | I10   | C3008 | A11  | C6158   | B9 <th>J</th> <th>A828</th> <th>E7</th> <th>L1406</th> <th>H12</th> <th>R1152</th> <th>I10</th> <th>T</th> <th></th> <th></th>                 | J     | A828  | E7    | L1406 | H12   | R1152 | I10   | T     |       |     |
| C1153 | I10   | C4200 | G6   | C6159   | C9   | J1150 | F8    | J4829 | B7    | L1407 | H13   | R1153 | E7    | T6030 | F5  |
| C1155 | E8    | C4201 | D7   | C6161   | C9   | J1151 | I9    | J4830 | E7    | L1408 | H12   | R1155 | B8    | T7502 | E17 |
| C1156 | E7    | C4202 | D6   | C6162   | B9   | J2030 | A13   | J4831 | F8    | L2000 | B3    | R1402 | H13   | T7580 | D19 |
| C1157 | E8    | C4203 | C8   | C6163   | B10  | J2031 | A11   | J4832 | F7    | L2001 | B11   | R1403 | H12   | V     |     |
| C1400 | D11   | C4204 | B7   | C6164   | C10  | J2032 | D15   | J4833 | B7    | L2002 | B11   | R1404 | H12   | V1500 | G2  |
| C1401 | C12   | C4205 | C8   | C6165   | C9   | J2033 | C11   | J4834 | F7    | L2003 | A11   | R1405 | I12   | V1510 | D2  |
| C1402 | C12   | C4206 | D6   | C6170   | B10  | J2060 | H6    | J4835 | B8    | L2101 | E12   | R1406 | H14   | V1512 | D5  |
| C1404 | I12   | C4207 | B7   | C6174   | C9   | J2100 | E12   | J4836 | B7    | L2102 | I14   | R1407 | H13   | V1513 | G5  |
| C1405 | H13   | C4208 | C8   | C6176   | C10  | J2200 | F11   | J4837 | F9    | L2103 | H14   | R2000 | B2    | V1514 | J13 |
| C1407 | G13   | C4209 | B7   | C6178   | C10  | J2201 | F10   | J4838 | B8    | L2104 | E12   | R2002 | B11   | V1515 | J7  |
| C1408 | I12   | C4211 | B6   | C6179   | B10  | J2202 | E9    | J4839 | C10   | L2105 | F3    | R2003 | B11   | V1516 | J4  |
| C2000 | C     | C4212 | C8   | C6180   | C9   | J2203 | F11   | J4840 | B8    | L2106 | F3    | R2006 | C11   | V1517 | J11 |
| C2001 | C     | C4213 | D7   | C6182   | C9   | J2204 | D13   | J4842 | D6    | L2111 | D12   | R2009 | B10   | V1518 | I9  |
| C2002 | B11   | C4214 | D7   | C6184   | C9   | J2205 | D14   | J4843 | D6    | L2112 | C14   | R2010 | B11   | V1519 | I9  |
| C2004 | C10   | C4215 | D7   | C6185   | C9   | J2206 | E7    | J4844 | D7    | L2113 | B14   | R2012 | A11   | V1160 | I9  |
| C2005 | C11   | C4216 | B8   | C6200   | G3   | J2207 | E7    | J4845 | D6    | L2114 | D12   | R2030 | D10   | V1161 | A15 |
| C2007 | B10   | C4219 | B7   | C6201   | H3   | J2208 | F11   | J4846 | D7    | L2120 | E12   | R2031 | D10   | V1162 | I11 |
| C2008 | B11   | C4221 | C8   | C6202   | H3   | J2209 | E7    | J4847 | C6    | L2202 | F9    | R2032 | D11   | V1401 | G12 |
| C2009 | B11   | C4402 | I10  | C6203   | H4   | J2210 | E11   | J4848 | D7    | L2205 | D10   | R2033 | D10   | V4400 | I10 |
| C2012 | C11   | C4403 | H9   | C6204   | H3   | J2211 | D11   | J4849 | B9    | L2390 | F12   | R2071 | D3    | V4500 | C10 |
| C2013 | B10   | C4404 | H9   | C6205   | G3   | J2212 | E11   | J4850 | F8    | L2391 | F12   | R2106 | I14   | V4541 | D10 |
| C2014 | C11   | C4405 | H10  | C6206   | H4   | J2213 | E9    | J5100 | G7    | L4200 | B7    | R2107 | H14   | X     |     |
| C2018 | C11   | C4406 | H9   | C6207   | H3   | J2214 | D10   | J5101 | H7    | L4201 | B7    | R2116 | B14   | X1400 | D11 |
| C2019 | C11   | C4408 | H9   | C6209   | H4   | J2215 | F0    | J5102 | H7    | L4202 | D6    | R2117 | B14   | X1401 | I13 |
| C2030 | E10   | C4600 | A10  | C6210   | H4   | J2216 | F7    | J5103 | H7    | L4203 | B8    | R2120 | D12   | X2000 | B1  |
| C2033 | E10   | C4601 | A9   | C6211   | G3   | J2217 | G12   | J5104 | G7    | L4204 | C6    | R2121 | E11   | X2001 | B13 |
| C2071 | E17   | C4602 | A9   | C6212   | H4   | J2218 | E7    | J5105 | H7    | L4205 | D7    | R2200 | D11   | X2070 | H12 |
| C2072 | F12   | C4800 | E8   | C6300   | H8   | J2219 | F7    | J5106 | H7    | L4400 | I10   | R2300 | G11   | X2700 | G9  |
| C2073 | H11   | C4801 | C7   | C6301   | G8   | J2220 | D15   | J5107 | G7    | L4401 | I10   | R2852 | F9    | X3300 | E1  |
| C2106 | H14   | C4802 | B9   | C6302   | G8   | J2221 | D15   | J5108 | H7    | L4402 | I10   | R2853 | F9    | X4400 | B16 |
| C2107 | H14   | C4803 | B8   | C6303   | H8   | J2300 | H8    | J5109 | G7    | L4800 | D10   | R2862 | C11   | X4401 | H9  |
| C2108 | F3    | C4804 | E8   | C6304   | I8   | J2301 | E7    | J5113 | G5    | L5200 | B6    | R3000 | E6    | X5250 | B4  |
| C2109 | F3    | C4806 | E9   | C6305   | F7   | J2302 | F7    | J5114 | G5    | L5410 | F13   | R3300 | E3    | Z     |     |
| C2110 | F3    | C4807 | D10  | C6306   | G8   | J2308 | F7    | J5127 | G5    | L5450 | B10   | R3301 | E3    | Z2001 | B11 |
| C2116 | B14   | C4808 | D10  | C6307   | G6   | J2800 | C15   | J5200 | B6    | L6030 | E4    | R4400 | E11   | Z3000 | E3  |
| C2117 | B14   | C4810 | E10  | C6308   | H7   | J2801 | C15   | J5201 | A6    | L6031 | F4    | R4403 | H9    | Z4400 | D15 |
| C2120 | E12   | C4814 | D10  | C6309   | G8 <th>J2802</th> <th>A10</th> <th>J5202</th> <th>B6</th> <th>L6032</th> <th>F4</th> <th>R4404</th> <th>H9</th> <th>Z4401</th> <th>C15</th>    | J2802 | A10   | J5202 | B6    | L6032 | F4    | R4404 | H9    | Z4401 | C15 |
| C2121 | E12   | C4816 | D10  | C6329   | I8 <th>J2850</th> <th>A15</th> <th>J5203</th> <th>B6</th> <th>L6156</th> <th>B9</th> <th>R4406</th> <th>H10</th> <th>Z4402</th> <th>I10</th>   | J2850 | A15   | J5203 | B6    | L6156 | B9    | R4406 | H10   | Z4402 | I10 |
| C2122 | D12   | C4817 | D10  | C6330   | I8 <th>J3000</th> <th>B13</th> <th>J5204</th> <th>A6</th> <th>L6176</th> <th>C10</th> <th>R4600</th> <th>A9</th> <th>Z4403</th> <th>I10</th>   | J3000 | B13   | J5204 | A6    | L6176 | C10   | R4600 | A9    | Z4403 | I10 |
| C2123 | D11   | C4818 | C10  | C6335   | I8 <th>J3001</th> <th>B13</th> <th>J5205</th> <th>B6</th> <th>L6200</th> <th>H3</th> <th>R4601</th> <th>A10</th> <th>Z4404</th> <th>G10</th>   | J3001 | B13   | J5205 | B6    | L6200 | H3    | R4601 | A10   | Z4404 | G10 |
| C2124 | D11   | C4819 | B9   | C6338   | I8 <th>J3002</th> <th>C13</th> <th>J5206</th> <th>A6</th> <th>L6201</th> <th>H4</th> <th>R4800</th> <th>E8</th> <th>Z4405</th> <th>H10</th>    | J3002 | C13   | J5206 | A6    | L6201 | H4    | R4800 | E8    | Z4405 | H10 |
| C2125 | E11   | C4820 | E7   | C6396 <td>H7<th>J3003</th><th>B12</th><th>J5400</th><th>E11</th><th>L7405</th><th>G18</th><th>R4801</th><th>E10</th><th>Z4406</th><th>H10</th></td> | H7 <th>J3003</th> <th>B12</th> <th>J5400</th> <th>E11</th> <th>L7405</th> <th>G18</th> <th>R4801</th> <th>E10</th> <th>Z4406</th> <th>H10</th> | J3003 | B12   | J5400 | E11   | L7405 | G18   | R4801 | E10   | Z4406 | H10 |
| C2126 | E12   | C4821 | D7   | C6397 <td>H7<th>J3004</th><th>D13</th><th>J5410</th><th>F7</th><th>L7500</th><th>C19</th><th>R4802</th><th>E7</th><th>Z5200</th><th>B6</th></td>    | H7 <th>J3004</th> <th>D13</th> <th>J5410</th> <th>F7</th> <th>L7500</th> <th>C19</th> <th>R4802</th> <th>E7</th> <th>Z5200</th> <th>B6</th>    | J3004 | D13   | J5410 | F7    | L7500 | C19   | R4802 | E7    | Z5200 | B6  |
| C2127 | D12   | C4822 | B7   | C6398 <td>H7<th>J3005</th><th>C13</th><th>J5411</th><th>F7</th><th>L7501</th><th>D18</th><th>R4804</th><th>B7</th><th>Z6200</th><th>H3</th></td>    | H7 <th>J3005</th> <th>C13</th> <th>J5411</th> <th>F7</th> <th>L7501</th> <th>D18</th> <th>R4804</th> <th>B7</th> <th>Z6200</th> <th>H3</th>    | J3005 | C13   | J5411 | F7    | L7501 | D18   | R4804 | B7    | Z6200 | H3  |
| C2128 | E11   | C4823 | B8   | C6399 <td>H7<th>J3006</th><th>C13</th><th>J5412</th><th>F8</th><th>L7502</th><th>C17</th><th>R4805</th><th>A7</th><th>Z6300</th><th>I7</th></td>    | H7 <th>J3006</th> <th>C13</th> <th>J5412</th> <th>F8</th> <th>L7502</th> <th>C17</th> <th>R4805</th> <th>A7</th> <th>Z6300</th> <th>I7</th>    | J3006 | C13   | J5412 | F8    | L7502 | C17   | R4805 | A7    | Z6300 | I7  |
| C2201 | F10   | C4824 | B8   | C6450 <td>E4<th>J3007</th><th>B12</th><th>J5413</th><th>G10</th><th>L7503</th><th>C19</th><th>R4806</th><th>A7</th><th>Z7501</th><th>D19</th></td>  | E4 <th>J3007</th> <th>B12</th> <th>J5413</th> <th>G10</th> <th>L7503</th> <th>C19</th> <th>R4806</th> <th>A7</th> <th>Z7501</th> <th>D19</th>  | J3007 | B12   | J5413 | G10   | L7503 | C19   | R4806 | A7    | Z7501 | D19 |
| C2202 | D11   | C4825 | E7   | C6458 <td>D4<th>J3008</th><th>A12</th><th>J5414</th><th>F11</th><th>L7506</th><th>C17</th><th>R5001</th><th>B9</th><th>Z7503</th><th>D18</th></td>  | D4 <th>J3008</th> <th>A12</th> <th>J5414</th> <th>F11</th> <th>L7506</th> <th>C17</th> <th>R5001</th> <th>B9</th> <th>Z7503</th> <th>D18</th>  | J3008 | A12   | J5414 | F11   | L7506 | C17   | R5001 | B9    | Z7503 | D18 |
| C2203 | D11   | C4826 | E7   | C6459 <td>E4<th>J3009</th><th>B12</th><th>J5450</th><th>E12</th><th>L7510</th><th>F17</th><th>R5002</th><th>C10</th><th>Z7504</th><th>D18</th></td> | E4 <th>J3009</th> <th>B12</th> <th>J5450</th> <th>E12</th> <th>L7510</th> <th>F17</th> <th>R5002</th> <th>C10</th> <th>Z7504</th> <th>D18</th> | J3009 | B12   | J5450 | E12   | L7510 | F17   | R5002 | C10   | Z7504 | D18 |
| C2205 | E11   | C4827 | F8   | C7500 <td>B18<th>J3010</th><th>A13</th><th>J5451</th><th>F12</th><th>L7526</th><th>D19</th><th>R5003</th><th>B9</th><th>Z7521</th><th>E17</th></td> | B18 <th>J3010</th> <th>A13</th> <th>J5451</th> <th>F12</th> <th>L7526</th> <th>D19</th> <th>R5003</th> <th>B9</th> <th>Z7521</th> <th>E17</th> | J3010 | A13   | J5451 | F12   | L7526 | D19   | R5003 | B9    | Z7521 | E17 |
| C2211 | E9    | C4828 | E7   | C7507 <td>C18<th>J3011</th><th>C13</th><th>J5500</th><th>D14</th><th>L7540</th><th>G19</th><th>R5004</th><th>B9</th><th>Z7540</th><th>G17</th></td> | C18 <th>J3011</th> <th>C13</th> <th>J5500</th> <th>D14</th> <th>L7540</th> <th>G19</th> <th>R5004</th> <th>B9</th> <th>Z7540</th> <th>G17</th> | J3011 | C13   | J5500 | D14   | L7540 | G19   | R5004 | B9    | Z7540 | G17 |
| C2213 | F10   | C4830 | D7   | C7513 <td>B18<th>J3100</th><th>G6</th><th>J5501</th><th>B8</th><th>L7550</th><th>I19</th><th>R5400</th><th>C10</th><th>Z7541</th><th>G18</th></td>  | B18 <th>J3100</th> <th>G6</th> <th>J5501</th> <th>B8</th> <th>L7550</th> <th>I19</th> <th>R5400</th> <th>C10</th> <th>Z7541</th> <th>G18</th>  | J3100 | G6    | J5501 | B8    | L7550 | I19   | R5400 | C10   | Z7541 | G18 |
| C2215 | F10   | C4832 | B7   | C7518 <td>C19<th>J3101</th><th>G6</th><th>J5502</th><th>A8</th><th>L7588</th><th>C18</th><th>R5401</th><th>C10</th><th>Z7580</th><th>D19</th></td>  | C19 <th>J3101</th> <th>G6</th> <th>J5502</th> <th>A8</th> <th>L7588</th> <th>C18</th> <th>R5401</th> <th>C10</th> <th>Z7580</th> <th>D19</th>  | J3101 | G6    | J5502 | A8    | L7588 | C18   | R5401 | C10   | Z7580 | D19 |
| C2216 | F11   | C4833 | B8   | C7519 <td>B19<th>J3102</th><th>G7</th><th>J5503</th><th>B8</th><th>L7589</th><th>C17</th><th>R5410</th><th>F13</th><th>Z7582</th><th>C17</th></td>  | B19 <th>J3102</th> <th>G7</th> <th>J5503</th> <th>B8</th> <th>L7589</th> <th>C17</th> <th>R5410</th> <th>F13</th> <th>Z7582</th> <th>C17</th>  | J3102 | G7    | J5503 | B8    | L7589 | C17   | R5410 | F13   | Z7582 | C17 |
| C2217 | E10   | C4834 | E9 <td>C7520</td> <td>B19<th>J3103</th><th>G7</th><th>J5504</th><th>B8</th><th>L7590</th><th>D17</th><th>R5411</th><th>F13</th><th></th><th></th></td>             | C7520   | B19 <th>J3103</th> <th>G7</th> <th>J5504</th> <th>B8</th> <th>L7590</th> <th>D17</th> <th>R5411</th> <th>F13</th> <th></th> <th></th>          | J3103 | G7    | J5504 | B8    | L7590 | D17   | R5411 | F13   |       |     |
| C2220 | F9    | C4835 | E8 <td>C7521</td> <td>F19<th>J3104</th><th>G6</th><th>J5505</th><th>B8</th><th>L7591</th><th>H19</th><th>R5412</th><th>F13</th><th></th><th></th></td>             | C7521   | F19 <th>J3104</th> <th>G6</th> <th>J5505</th> <th>B8</th> <th>L7591</th> <th>H19</th> <th>R5412</th> <th>F13</th> <th></th> <th></th>          | J3104 | G6    | J5505 | B8    | L7591 | H19   | R5412 | F13   |       |     |
| C2222 | E9    | C4836 | E7 <td>C7523</td> <td>F17<th>J3105</th><th>G7</th><th>J5506</th><th>B8</th><th>L7592</th><th>D18</th><th>R5413</th><th>E12</th><th></th><th></th></td>             | C7523   | F17 <th>J3105</th> <th>G7</th> <th>J5506</th> <th>B8</th> <th>L7592</th> <th>D18</th> <th>R5413</th> <th>E12</th> <th></th> <th></th>          | J3105 | G7    | J5506 | B8    | L7592 | D18   | R5413 | E12   |       |     |
| C2225 | E9    | C5200 | B6 <td>C7524</td> <td>E19<th>J3106</th><th>G7</th><th>J5507</th><th>B8</th><th>L7593</th><th>B8</th><th>R5414</th><th>E12</th><th></th><th></th></td>              | C7524   | E19 <th>J3106</th> <th>G7</th> <th>J5507</th> <th>B8</th> <th>L7593</th> <th>B8</th> <th>R5414</th> <th>E12</th> <th></th> <th></th>           | J3106 | G7    | J5507 | B8    | L7593 | B8    | R5414 | E12   |       |     |
| C2226 | F11   | C5201 | B6 <td>C7525</td> <td>E19<th>J3107</th><th>H5</th><th>J5508</th><th>A6</th><th>L2100</th><th>G2</th><th>R5415</th><th>E12</th><th></th><th></th></td>              | C7525   | E19 <th>J3107</th> <th>H5</th> <th>J5508</th> <th>A6</th> <th>L2100</th> <th>G2</th> <th>R5415</th> <th>E12</th> <th></th> <th></th>           | J3107 | H5    | J5508 | A6    | L2100 | G2    | R5415 | E12   |       |     |
| C2227 | F10   | C5390 | C7 <td>C7543</td> <td>H18<th>J3108</th><th>H5</th><th>J6000</th><th>E3</th><th>N</th><th>R5452</th><th>B10</th><th></th><th></th><th></th></td>                    | C7543   | H18 <th>J3108</th> <th>H5</th> <th>J6000</th> <th>E3</th> <th>N</th> <th>R5452</th> <th>B10</th> <th></th> <th></th> <th></th>                 | J3108 | H5    | J6000 | E3    | N     | R5452 | B10   |       |       |     |
| C2228 | F10   | C5400 | E11 <td>C7544</td> <td>H18<th>J3109</th><th>H5</th><th>J6002</th><th>F4</th><th>N1100</th><th>A6</th><th>R5453</th><th>B10</th><th></th><th></th></td>             | C7544   | H18 <th>J3109</th> <th>H5</th> <th>J6002</th> <th>F4</th> <th>N1100</th> <th>A6</th> <th>R5453</th> <th>B10</th> <th></th> <th></th>           | J3109 | H5    | J6002 | F4    | N1100 | A6    | R5453 | B10   |       |     |
| C2231 | D9    | C5402 | E10 <td>C7545</td> <td>H18<th>J3110</th><th>G7</th><th>J6004</th><th>F5</th><th>N1101</th><th>I13</th><th>R5455</th><th>E12</th><th></th><th></th></td>            | C7545   | H18 <th>J3110</th> <th>G7</th> <th>J6004</th> <th>F5</th> <th>N1101</th> <th>I13</th> <th>R5455</th> <th>E12</th> <th></th> <th></th>          | J3110 | G7    | J6004 | F5    | N1101 | I13   | R5455 | E12   |       |     |
| C2232 | F9    | C5410 | G13 <td>C7547</td> <td>H19<th>J3111</th><th>H5</th><th>J6005</th><th>D14</th><th>N1102</th><th>I4</th><th>R5650</th><th>A7</th><th></th><th></th></td>             | C7547   | H19 <th>J3111</th> <th>H5</th> <th>J6005</th> <th>D14</th> <th>N1102</th> <th>I4</th> <th>R5650</th> <th>A7</th> <th></th> <th></th>           | J3111 | H5    | J6005 | D14   | N1102 | I4    | R5650 | A7    |       |     |
| C2300 | E6    | C5411 | G13 <td>C7548</td> <td>I18<th>J3112</th><th>H5</th><th>J6006</th><th>D14</th><th>N1150</th><th>I9</th><th>R6030</th><th>E3</th><th></th><th></th></td>             | C7548   | I18 <th>J3112</th> <th>H5</th> <th>J6006</th> <th>D14</th> <th>N1150</th> <th>I9</th> <th>R6030</th> <th>E3</th> <th></th> <th></th>           | J3112 | H5    | J6006 | D14   | N1150 | I9    | R6030 | E3    |       |     |
| C2303 | F7    | C5412 | F13 <td>C7549</td> <td>G18<th>J3113</th><th>H5</th><th>J6007</th><th>D14</th><th>N1151</th><th>F8</th><th>R6031</th><th>F5</th><th></th><th></th></td>             | C7549   | G18 <th>J3113</th> <th>H5</th> <th>J6007</th> <th>D14</th> <th>N1151</th> <th>F8</th> <th>R6031</th> <th>F5</th> <th></th> <th></th>           | J3113 | H5    | J6007 | D14   | N1151 | F8    | R6031 | F5    |       |     |
| C2304 | E7    | C5413 | F13 <td>C7550</td> <td>I18<th>J3114</th><th>G5</th><th>J6008</th><th>E4</th><th>N2000</th><th>C10</th><th>R6032</th><th>F3</th><th></th><th></th></td>             | C7550   | I18 <th>J3114</th> <th>G5</th> <th>J6008</th> <th>E4</th> <th>N2000</th> <th>C10</th> <th>R6032</th> <th>F3</th> <th></th> <th></th>           | J3114 | G5    | J6008 | E4    | N2000 | C10   | R6032 | F3    |       |     |
| C2307 | F6    | C5414 | E11 <td>C7553</td> <td>G18<th>J3300</th><th>G3</th><th>J6201</th><th>H5</th><th>N2001</th><th>C11</th><th>R6034</th><th>E5</th><th></th><th></th></td>             | C7553   | G18 <th>J3300</th> <th>G3</th> <th>J6201</th> <th>H5</th> <th>N2001</th> <th>C11</th> <th>R6034</th> <th>E5</th> <th></th> <th></th>           | J3300 | G3    | J6201 | H5    | N2001 | C11   | R6034 | E5    |       |     |
| C2312 | F6    | C5415 | G11 <td>C7580</td> <td>B19<th>J4400</th><th>G5</th><th>J6202</th><th>G4</th><th>N2002</th><th>C11</th><th>R6037</th><th>E7</th><th></th><th></th></td>             | C7580   | B19 <th>J4400</th> <th>G5</th> <th>J6202</th> <th>G4</th> <th>N2002</th> <th>C11</th> <th>R6037</th> <th>E7</th> <th></th> <th></th>           | J4400 | G5    | J6202 | G4    | N2002 | C11   | R6037 | E7    |       |     |
| C2390 | F12   | C5416 | E12 <td>C7581</td> <td>B19<th>J4401</th><th>G5</th><th>J6203</th><th>G4</th><th>N2030</th><th>D10</th><th>R6038</th><th>E4</th><th></th><th></th></td>             | C7581   | B19 <th>J4401</th> <th>G5</th> <th>J6203</th> <th>G4</th> <th>N2030</th> <th>D10</th> <th>R6038</th> <th>E4</th> <th></th> <th></th>           | J4401 | G5    | J6203 | G4    | N2030 | D10   | R6038 | E4    |       |     |
| C2391 | F11   | C5417 | E11 <td>C7582</td> <td>B19<th>J4600</th><th>A9</th><th>J6204</th><th>A15</th><th>N2031</th><th>D10</th><th>R6159</th><th>B9</th><th></th><th></th></td>            | C7582   | B19 <th>J4600</th> <th>A9</th> <th>J6204</th> <th>A15</th> <th>N2031</th> <th>D10</th> <th>R6159</th> <th>B9</th> <th></th> <th></th>          | J4600 | A9    | J6204 | A15   | N2031 | D10   | R6159 | B9    |       |     |
| C2700 | H10   | C5418 | E11 <td>C7583</td> <td>B19<th>J4601</th><th>B9</th><th>J6210</th><th>I2</th><th>N2120</th><th>E12</th><th>R6160</th><th>B9</th><th></th><th></th></td>             | C7583   | B19 <th>J4601</th> <th>B9</th> <th>J6210</th> <th>I2</th> <th>N2120</th> <th>E12</th> <th>R6160</th> <th>B9</th> <th></th> <th></th>           | J4601 | B9    | J6210 | I2    | N2120 | E12   | R6160 | B9    |       |     |
| C2800 | B12   | C5419 | F11 <td>C7586</td> <td>D19<th>J4602</th><th>A7</th><th>J6211</th><th>I1</th><th>N2200</th><th>F10</th><th>R6161</th><th>C9</th><th></th><th></th></td>             | C7586   | D19 <th>J4602</th> <th>A7</th> <th>J6211</th> <th>I1</th> <th>N2200</th> <th>F10</th> <th>R6161</th> <th>C9</th> <th></th> <th></th>           | J4602 | A7    | J6211 | I1    | N2200 | F10   | R6161 | C9    |       |     |
| C2801 | C12   | C5420 | G11 <td>C7587</td> <td>D19<th>J4800</th><th>E6</th><th>J6212</th><th>I1</th><th>N2300</th><th>F6</th><th>R6162</th><th>B9</th><th></th><th></th></td>              | C7587   | D19 <th>J4800</th> <th>E6</th> <th>J6212</th> <th>I1</th> <th>N2300</th> <th>F6</th> <th>R6162</th> <th>B9</th> <th></th> <th></th>            | J4800 | E6    | J6212 | I1    | N2300 | F6    | R6162 | B9    |       |     |
| C2802 | C14   | C5421 | F11 <td>C7590</td> <td>D17<th>J4801</th><th>C6</th><th>J6213</th><th>I1</th><th>N2390</th><th>F12</th><th>R6174</th><th>D10</th><th></th><th></th></td>            | C7590   | D17 <th>J4801</th> <th>C6</th> <th>J6213</th> <th>I1</th> <th>N2390</th> <th>F12</th> <th>R6174</th> <th>D10</th> <th></th> <th></th>          | J4801 | C6    | J6213 | I1    | N2390 | F12   | R6174 | D10   |       |     |
| C2803 | A14   | C5450 | E13 <td>C7591</td> <td>D18<th>J4802</th><th>B7</th><th>J6300</th><th>F8</th><th>N4200</th><th>C7</th><th>R6175</th><th>D10</th><th></th><th></th></td>             | C7591   | D18 <th>J4802</th> <th>B7</th> <th>J6300</th> <th>F8</th> <th>N4200</th> <th>C7</th> <th>R6175</th> <th>D10</th> <th></th> <th></th>           | J4802 | B7    | J6300 | F8    | N4200 | C7    | R6175 | D10   |       |     |
| C2804 | C12   | C5451 | D12 <th>D</th> <th>J4803</th> <th>B7</th> <th>J6301</th> <th>F7</th> <th>N4400</th> <th>I8</th> <th>R6300</th> <th>H6</th> <th></th> <th></th> <th></th>           | D   | J4803  | B7    | J6301 | F7    | N4400 | I8    | R6300 | H6    |       |       |     |
| C2805 | A13   | C5452 | D12 <th>D2800</th> <th>B14</th> <th>J4804</th> <th>F8</th> <th>J6303</th> <th>F7</th> <th>N4600</th> <th>A9</th> <th>R6301</th> <th>H6</th> <th></th> <th></th>    | D2800   | B14  | J4804 | F8    | J6303 | F7    | N4600 | A9    | R6301 | H6    |       |     |
| C2806 | B15   | C5453 | A10 <th>D3000</th> <th>B11</th> <th>J4805</th> <th>C7</th> <th>J6304</th> <th>G8</th> <th>N4801</th> <th>E10</th> <th>R6304</th> <th>D5</th> <th></th> <th></th>   | D3000   | B11  | J4805 | C7    | J6304 | G8    | N4801 | E10   | R6304 | D5    |       |     |
| C2807 | C15   | C5454 | D10 <th>D4800</th> <th>D8</th> <th>J4806</th> <th>B7</th> <th>J6305</th> <th>G8</th> <th>N5400</th> <th>E11</th> <th>R6454</th> <th>E3</th> <th></th> <th></th>    | D4800   | D8   | J4806 | B7    | J6305 | G8    | N5400 | E11   | R6454 | E3    |       |     |
| C2808 | B15   | C5455 | D10 <th>D5000</th> <th>D8</th> <th>J4807</th> <th>B7</th> <th>J6306</th> <th>F8</th> <th>N5401</th> <th>D11</th> <th>R6455</th> <th>D3</th> <th></th> <th></th>    | D5000   | D8   | J4807 | B7    | J6306 | F8    | N5401 | D11   | R6455 | D3    |       |     |
| C2809 | B15   | C5456 | C10 <th>D5390</th> <th>C7</th> <th>J4808</th> <th>E10</th> <th>J6308</th> <th>F8</th> <th>N5451</th> <th>C10</th> <th>R6499</th> <th>E3</th> <th></th> <th></th>   | D5390   | C7   | J4808 | E10   | J6308 | F8    | N5451 | C10   | R6499 | E3    |       |     |
| C2810 | D12   | C5457 | C10 <th>D5410</th> <th>F12</th> <th>J4809</th> <th>E10</th> <th>J6309</th> <th>F8</th> <th>N5452</th> <th>E12</th> <th>R7501</th> <th>B18</th> <th></th> <th></th> | D5410   | F12  | J4809 | E10   | J6309 | F8    | N5452 | E12   | R7501 | B18   |       |     |
| C2811 | C12   | C5461 | C10 <th>D5411</th> <th>F10</th> <th>J4810</th> <th>D10</th> <th>J6310</th> <th>F6</th> <th>N5650</th> <th>A7</th> <th>R7502</th> <th>B19</th> <th></th> <th></th>  | D5411   | F10  | J4810 | D10   | J6310 | F6    | N5650 | A7    | R7502 | B19   |       |     |
| C2812 | C15   | C5463 | E12 <th>D5500</th> <th>B7</th> <th>J4811</th> <th>F9</th> <th>J6311</th> <th>H7</th> <th>N6030</th> <th>F4</th> <th>R7503</th> <th>C19</th> <th></th> <th></th>    | D5500   | B7   | J4811 | F9    | J6311 | H7    | N6030 | F4    | R7503 | C19   |       |     |
| C2813 | B12   | C5464 | D11 <th>D6450</th> <th>D4&lt;/</th>  | D6450   | D4</   |       |       |       |       |       |       |       |       |       |     |

|       |       |       |       |       |       |       |       |       |       |       |       |       |     |
|-------|-------|-------|-------|-------|-------|-------|-------|-------|-------|-------|-------|-------|-----|
| B     | C2816 | C14   | C6032 | E3    | J2214 | D10   | J5102 | H7    | L6200 | H3    | R5001 | B9    |     |
| B2100 | C1    | C2817 | A15   | C6033 | E4    | J2215 | E10   | J5103 | H7    | L6201 | H4    | R5002 | C10 |
| B2101 | B16   | C2818 | B15   | C6034 | E4    | J2216 | F7    | J5104 | G7    | L7405 | G18   | R5003 | B9  |
| B2102 | I16   | C2820 | A13   | C6035 | F4    | J2217 | G12   | J5105 | H7    | L7500 | C19   | R5004 | B9  |
| B2200 | F11   | C2821 | C12   | C6036 | E3    | J2218 | E7    | J5106 | H7    | L7501 | D18   | R5400 | C10 |
| C     | C3000 | C11   | C6037 | F3    | J2219 | F7    | J5107 | G7    | L7502 | C17   | R5401 | C10   |     |
| C1100 | A7    | C3001 | A10   | C6038 | F4    | J2220 | D15   | J5108 | H7    | L7503 | C19   | R5410 | F13 |
| C1101 | B7    | C3002 | C11   | C6039 | E4    | J2221 | D15   | J5109 | G7    | L7506 | C17   | R5411 | F13 |
| C1102 | I12   | C3003 | A11   | C6051 | F4    | J2300 | E7    | J5113 | G5    | L7510 | F17   | R5412 | F13 |
| C1103 | I13   | C3004 | B12   | C6052 | E4    | J2301 | E7    | J5114 | G5    | L7526 | D19   | R5413 | E12 |
| C1104 | J5    | C3005 | C11   | C6055 | F5    | J2302 | F7    | J5127 | G5    | L7527 | F19   | R5414 | E12 |
| C1105 | J5    | C3006 | C11   | C6157 | B9    | J2308 | F7    | J5200 | B6    | L7528 | F19   | R5415 | E12 |
| C1150 | I10   | C3007 | A12   | C6158 | B9    | J2800 | C15   | J5201 | A6    | L7529 | F19   | R5452 | B10 |
| C1151 | I9    | C3008 | A11   | C6159 | C9    | J2801 | C15   | J5202 | B6    | L7590 | D17   | R5453 | B10 |
| C1152 | I10   | C4200 | C6    | C6161 | C9    | J2802 | A10   | J5203 | B6    | L7592 | D18   | R5455 | E12 |
| C1153 | I10   | C4201 | D7    | C6162 | B9    | J2850 | A15   | J5204 | A6    | M     | R5650 | A7    |     |
| C1155 | E8    | C4202 | D6    | C6163 | B10   | J3000 | B13   | J5205 | B6    | M2100 | G2    | R6030 | F3  |
| C1156 | F7    | C4203 | C8    | C6164 | C10   | J3001 | B13   | J5206 | A6    | N     | R6031 | E5    |     |
| C1157 | E8    | C4204 | B7    | C6165 | C9    | J3002 | C13   | J5400 | E11   | N1100 | A6    | R6032 | F3  |
| C1400 | D11   | C4205 | C8    | C6170 | B10   | J3003 | B12   | J5410 | F7    | N1101 | I13   | R6034 | E5  |
| C1401 | C12   | C4206 | D6    | C6174 | C9    | J3004 | D13   | J5411 | F7    | N1102 | I4    | R6037 | E7  |
| C1402 | C12   | C4207 | B7    | C6176 | C10   | J3005 | C13   | J5412 | F8    | N1150 | I9    | R6038 | E4  |
| C1404 | I12   | C4208 | C8    | C6178 | C10   | J3006 | C13   | J5413 | G10   | N1151 | F8    | R6159 | B9  |
| C1405 | H13   | C4209 | B7    | C6179 | B10   | J3007 | B12   | J5414 | F11   | N2000 | C10   | R6160 | B9  |
| C1407 | G13   | C4211 | B6    | C6180 | C9    | J3008 | A12   | J5450 | E12   | N2001 | C11   | R6161 | C9  |
| C1408 | I12   | C4212 | C8    | C6182 | C9    | J3009 | B12   | J5451 | E12   | N2002 | C11   | R6162 | B9  |
| C2000 | C3    | C4213 | D7    | C6184 | C9    | J3010 | A13   | J5500 | D14   | N2030 | D10   | R6174 | D10 |
| C2001 | C3    | C4214 | D7    | C6185 | C9    | J3011 | C13   | J5501 | B8    | N2031 | D10   | R6175 | D10 |
| C2002 | B11   | C4215 | D7    | C6200 | G3    | J3100 | G6    | J5502 | A8    | N2120 | E12   | R6454 | E3  |
| C2004 | C10   | C4216 | D8    | C6201 | H3    | J3101 | G6    | J5503 | B8    | N2200 | F10   | R6499 | E3  |
| C2005 | C11   | C4219 | B7    | C6202 | H3    | J3102 | G7    | J5504 | B8    | N2300 | F6    | R7501 | B18 |
| C2007 | B10   | C4221 | C8    | C6203 | H4    | J3103 | G7    | J5505 | B8    | N2390 | F12   | R7502 | B19 |
| C2008 | B11   | C4402 | I10   | C6204 | H3    | J3104 | G6    | J5506 | B8    | N4200 | C7    | R7503 | C19 |
| C2009 | B11   | C4403 | I10   | C6205 | G3    | J3105 | G7    | J5507 | B8    | N4400 | I8    | R7509 | C17 |
| C2012 | C11   | C4404 | H9    | C6206 | H4    | J3106 | G7    | J5508 | A6    | N4600 | A9    | R7520 | G18 |
| C2013 | B10   | C4405 | H10   | C6207 | H3    | J3107 | H5    | J6000 | E3    | N4801 | E10   | R7522 | C18 |
| C2014 | C11   | C4406 | H9    | C6209 | H4    | J3108 | H5    | J6002 | F3    | N5400 | E11   | R7528 | F17 |
| C2018 | C11   | C4408 | H9    | C6210 | H4    | J3109 | H5    | J6004 | F4    | N5401 | D11   | R7540 | G17 |
| C2019 | E11   | C4600 | A10   | C6211 | G3    | J3110 | G7    | J6005 | D14   | N5451 | C10   | R7560 | G19 |
| C2030 | F10   | C4601 | A9    | C6212 | H4    | J3111 | H5    | J6006 | D14   | N5452 | E12   | S     |     |
| C2033 | F10   | C4602 | A9    | C6450 | E4    | J3112 | H5    | J6007 | D14   | N5650 | A7    | S4401 | J4  |
| C2071 | F17   | C4800 | E8    | C6458 | D4    | J3113 | H5    | J6008 | E4    | N6030 | F4    | S4401 | J4  |
| C2072 | F12   | C4801 | C7    | C6459 | E4    | J3114 | G5    | J6201 | H5    | N6156 | C9    | S4402 | J7  |
| C2073 | H11   | C4802 | B9    | C7500 | B18   | J3300 | E3    | J6202 | G4    | N6200 | G4    | S4403 | J12 |
| C2106 | H14   | C4803 | B8    | C7507 | C18   | J4400 | G5    | J6203 | G4    | N6453 | D4    | S4416 | E19 |
| C2107 | H14   | C4804 | E8    | C7513 | B18   | J4401 | G5    | J6204 | A15   | N7505 | C18   | T     |     |
| C2108 | F3    | C4806 | E9    | C7518 | C19   | J4600 | A9    | J6210 | I2    | N7520 | F18   | T7502 | E17 |
| C2109 | F3    | C4807 | D10   | C7519 | B19   | J4601 | B9    | J6211 | I1    | N7590 | D17   | V     |     |
| C2110 | F3    | C4808 | D10   | C7520 | B19   | J4602 | A7    | J6212 | I1    | N     | V1150 | G2    |     |
| C2116 | B14   | C4810 | E10   | C7521 | F19   | J4800 | E6    | J6213 | I1    | R1100 | I12   | V1151 | D2  |
| C2117 | B14   | C4814 | D10   | C7523 | F17   | J4801 | C6    | J6400 | J5    | R1101 | E6    | V1152 | O5  |
| C2120 | E12   | C4816 | D10   | C7524 | D19   | J4802 | B7    | J6401 | J6    | R1102 | J5    | V1153 | G5  |
| C2121 | E12   | C4817 | D10   | C7525 | E19   | J4803 | B7    | J7400 | I19   | R1150 | J9    | V1154 | J13 |
| C2122 | D12   | C4818 | C10   | C7590 | D17   | J4804 | F8    | J7401 | H19   | R1151 | F8    | V1155 | J7  |
| C2123 | D11   | C4819 | B9    | C7591 | D18   | J4805 | C7    | J7402 | I19   | R1152 | I10   | V1156 | J4  |
| C2124 | D11   | C4820 | E7    | D     | J4806 | B7    | J7403 | G19   | R1153 | E7    | V1157 | J11   |     |
| C2125 | E11   | C4821 | D7    | D2800 | B14   | J4807 | B7    | J7404 | G19   | R1155 | I8    | V1158 | J9  |
| C2126 | E12   | C4822 | B7    | D3000 | B11   | J4808 | E10   | L     | R1402 | H13   | V1159 | J9    |     |
| C2127 | D12   | C4823 | B8    | D4800 | D8    | J4809 | E10   | L1150 | E8    | R1403 | H12   | V1160 | J9  |
| C2128 | E11   | C4824 | E8    | D5000 | D8    | J4810 | D10   | L1404 | I12   | R1404 | H12   | V1161 | A15 |
| C2201 | F10   | C4825 | E7    | D5390 | C7    | J4811 | F9    | L1405 | H13   | R1405 | I12   | V1162 | I11 |
| C2202 | D11   | C4826 | E7    | D5410 | F12   | J4812 | B9    | L1406 | H12   | R1406 | H14   | V1401 | G12 |
| C2203 | D11   | C4827 | F8    | D5411 | F10   | J4813 | I10   | L1407 | H13   | R1407 | H13   | V4400 | I10 |
| C2205 | E11   | C4828 | E7    | D5500 | B7    | J4814 | B7    | L1408 | H12   | R2000 | B2    | V5450 | C10 |
| C2211 | E9    | C4830 | D7    | E     | J4815 | B7    | L2000 | B3    | R2002 | B11   | V5451 | D10   |     |
| C2213 | F10   | C4832 | B7    | E2001 | A13   | J4816 | C8    | L2001 | B11   | R2003 | B11   | X     |     |
| C2215 | G10   | C4833 | B8    | E2002 | C13   | J4817 | C8    | L2002 | B11   | R2006 | C11   | X1400 | D11 |
| C2216 | F11   | C4834 | E9    | E2003 | B12   | J4818 | D10   | L2003 | A11   | R2009 | B10   | X1401 | I13 |
| C2217 | E10   | C4835 | E8    | E2004 | C12   | J4819 | D10   | L2101 | E12   | R2010 | B11   | X2000 | B1  |
| C2220 | F9    | C4836 | E7    | E2005 | B13   | J4820 | D10   | L2102 | I14   | R2012 | A11   | X2001 | B13 |
| C2222 | E9    | C5200 | B6    | E2006 | B13   | J4821 | B8    | L2103 | H14   | R2030 | D10   | X2070 | H12 |
| C2225 | E9    | C5201 | B6    | F     | J4822 | D10   | L2104 | E12   | R2031 | D10   | X2700 | G9    |     |
| C2226 | F11   | C5390 | C7    | F2000 | B3    | J4823 | B8    | L2105 | F3    | R2032 | D11   | X3300 | E1  |
| C2227 | F10   | C5400 | E11   | G     | J4824 | B9    | L2106 | F3    | R2033 | D10   | X4400 | B16   |     |
| C2228 | F10   | C5402 | E10   | G2200 | D9    | J4825 | C7    | L2111 | D12   | R2071 | D3    | X4401 | H9  |
| C231  | D9    | C5410 | G13   | G6200 | G3    | J4826 | C7    | L2112 | C14   | R2106 | H14   | X5250 | B4  |
| C232  | F9    | C5411 | G13   | G6450 | E5    | J4827 | E6    | L2113 | B14   | R2107 | H14   | Z     |     |
| C2300 | E6    | C5412 | F13   | G7501 | B17   | J4828 | E7    | L2114 | D12   | R2116 | B14   | Z2001 | B11 |
| C2303 | F7    | C5413 | F13   | J     | J4829 | B7    | L2120 | E12   | R2117 | B14   | Z3300 | E3    |     |
| C2304 | F7    | C5414 | E11   | J1150 | F8    | J4830 | E7    | L2202 | F9    | R2120 | D12   | Z4400 | D15 |
| C2307 | F6    | C5415 | G11   | J1151 | J9    | J4831 | F8    | L2205 | D10   | R2121 | E11   | Z4401 | C15 |
| C2312 | F6    | C5416 | E12   | J2030 | A13   | J4832 | F7    | L2390 | F12   | R2200 | D11   | Z4402 | I10 |
| C2390 | F12   | C5417 | E11   | J2031 | A11   | J4833 | B7    | L2391 | F12   | R2300 | G11   | Z4403 | I10 |
| C2391 | F11   | C5418 | E11   | J2032 | D15   | J4834 | E7    | L4200 | B7    | R2852 | F9    | Z4404 | G10 |
| C2700 | H10   | C5419 | F11   | J2033 | C11   | J4835 | B8    | L4201 | D7    | R2853 | F9    | Z4405 | H10 |
| C2800 | B12   | C5420 | G11   | J2060 | H6    | J4836 | B7    | L4202 | D6    | R2862 | C11   | Z4406 | H10 |
| C2801 | C12   | C5421 | F11   | J2100 | E12   | J4837 | F9    | L4203 | B8    | R3000 | E6    | Z5200 | B6  |
| C2802 | C14   | C5450 | E13   | J2200 | E11   | J4838 | B8    | L4204 | C6    | R3300 | E3    | Z6030 | F5  |
| C2803 | A14   | C5451 | D12   | J2201 | E10   | J4839 | C10   | L4205 | D7    | R3301 | E3    | Z6200 | H3  |
| C2804 | C12   | C5452 | D12   | J2202 | E9    | J4840 | B8    | L4400 | I10   | R4400 | E11   | Z7501 | D19 |
| C2805 | A13   | C5453 | A10   | J2203 | E11   | J4842 | D6    | L4401 | I10   | R4403 | H9    | Z7503 | D18 |
| C2806 | B15   | C5454 | D10   | J2204 | D13   | J4843 | D6    | L4402 | I10   | R4404 | H9    | Z7504 | D18 |
| C2807 | C15   | C5455 | D10   | J2205 | D14   | J4844 | D7    | L4800 | D10   | R4406 | H10   | Z7540 | G17 |
| C2808 | B15   | C5456 | C10   | J2206 | E7    | J4845 | D6    | L5200 | B6    | R4600 | A9    |       |     |
| C2809 | B15   | C5457 | C10   | J2207 | E7    | J4846 | D7    | L5410 | F13   | R4601 | A10   |       |     |
| C2810 | D12   | C5461 | C10   | J2208 | E11   | J4847 | C6    | L5450 | B10   | R4800 | E8    |       |     |
| C2811 | C12   | C5463 | E12   | J2209 | E7    | J4848 | D7    | L6030 | E4    | R4801 | E10   |       |     |
| C2812 | C15   | C5464 | D11   | J2210 | E11   | J4849 | B9    | L6031 | F4    | R4802 | E7    |       |     |
| C2813 | B12   | C5500 | B7    | J2211 | D11   | J4850 | F8    | L6032 | F4    | R4804 | B7    |       |     |
| C2814 | B12   | C5650 | A7    | J2212 | E11   | J5100 | G7    | L6156 | B9    | R4805 | A7    |       |     |
| C2815 | A14   | C6031 | F5    | J2213 | E9    | J5101 | H7    | L6176 | C10   | R4806 | A7    |       |     |

